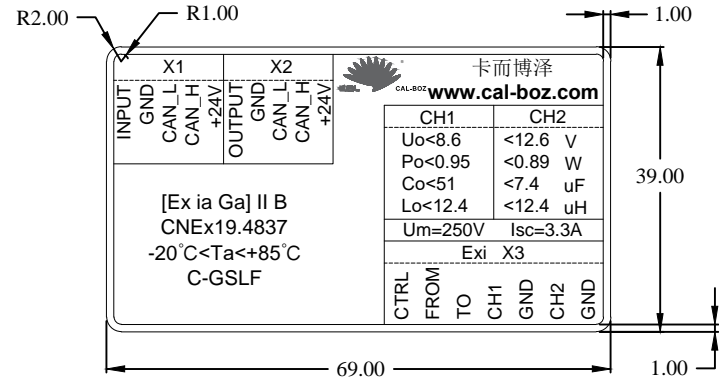
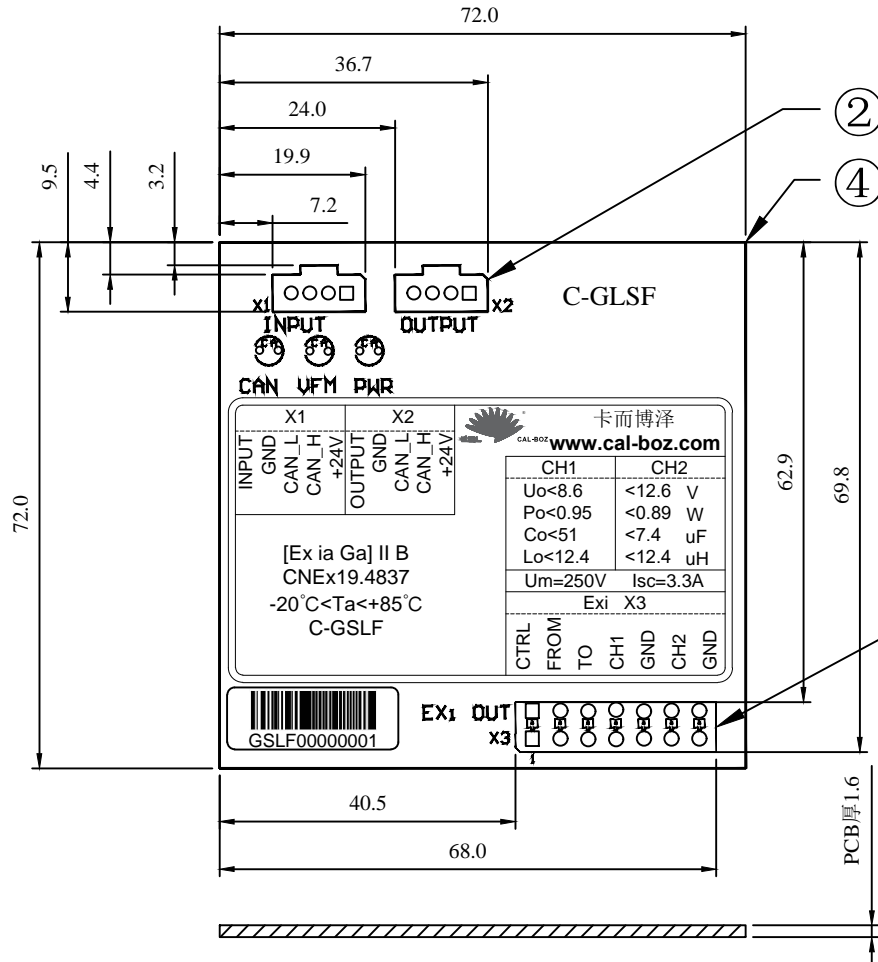
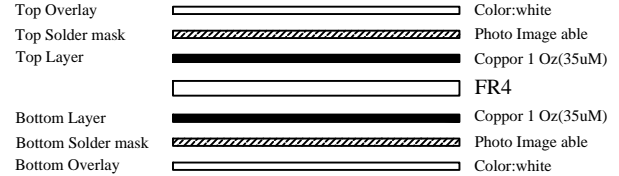


RoHS



PCB Decomposition Diagram

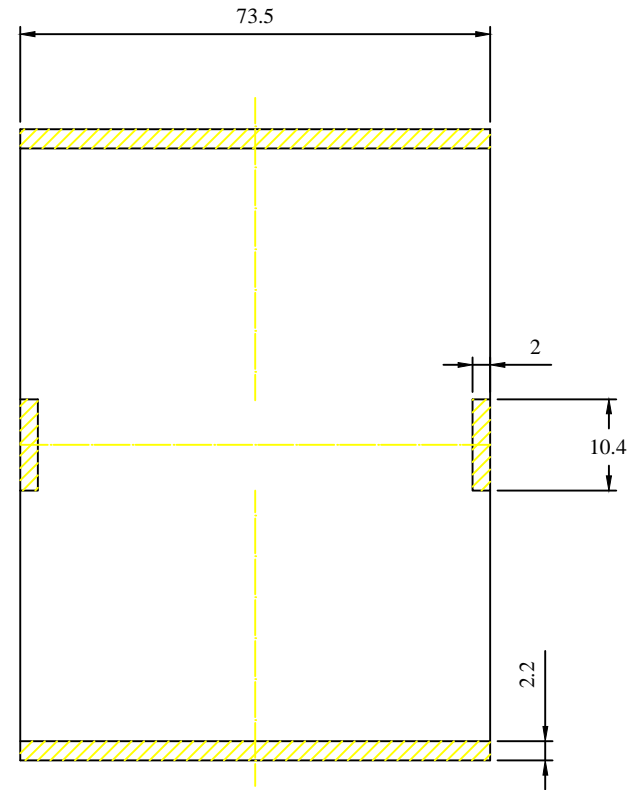
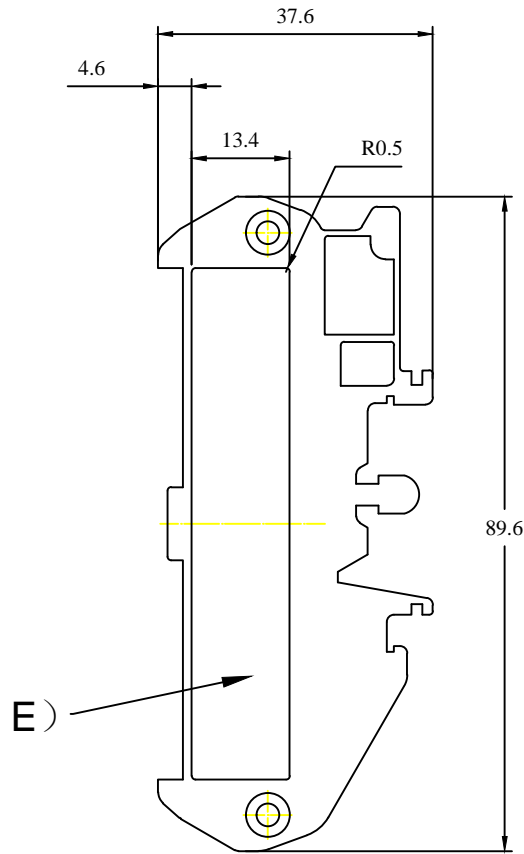



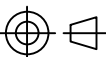
- 1.Finished board total thickness is 1.6±0.20mm
- 2.Overall tolerance on dimensions is ±0.20mm
- 3.Maximum milling radius:2.0mm unless otherwise specified
- 4.Overall tolerance on drilling diameters is ±0.10mm
- 5.Via plugging not required

④	PCBA	72*72*1.6mm FR4	1
③	Label	69*39White/black, Text: Arial Size: 1.8、2.0	1
②	Connector	PBT,UL94V-0(Black) Brass/Tin over Nickel	2
①	Connector	PA66,UL94V-0(Green)Brass/Tin over Nickel	1
No.	Name	Information	

Guangzhou Cal-Boz Electrical Science & Technology Co.,Limited.						
PROJECTION	PART NO.	C-GLSF				
	TITLE	C-GLSF PCBA, LABEL				
	DRAWN BY	Allen				
	CHECKED BY	Niko				
SCALE	UNIT	VERSION	SIZE	SHEET	DATE	
1:1	MM	A1	A4	1 / 3	2019.11.22	

RoHS



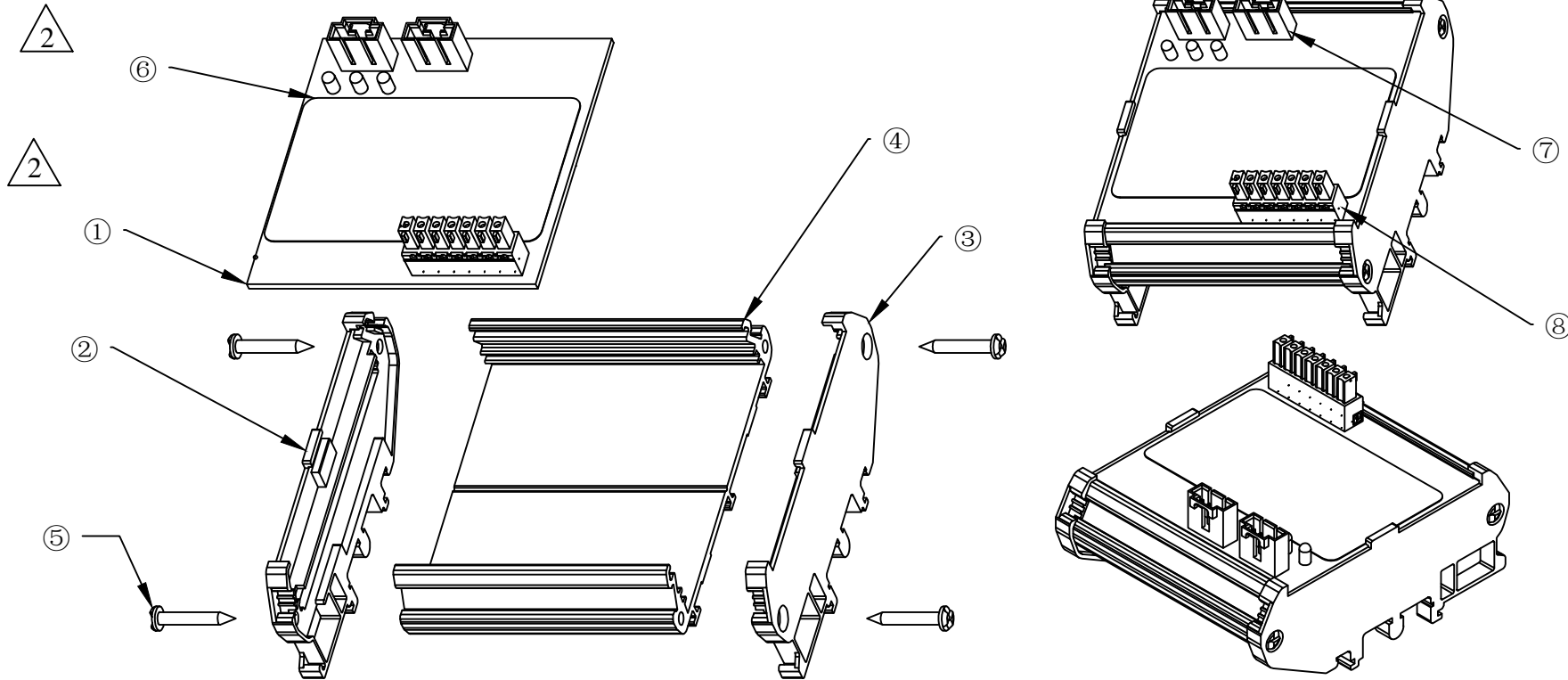
 Guangzhou Cal-Boz Electrical Science & Technology Co., Limited. <small>CAL-BOZ</small>						
PROJECTION	PART NO.	C-GSLF				
	TITLE	C-GLSF Shell				
	DRAWN BY	Allen				
	CHECKED BY	Niko				
SCALE	UNIT	VERSION	SIZE	SHEET	DATE	
1:1	MM	A1	A4	2 / 3	2019.11.22	

RoHS

Safe handling : max burr height :=0.1mm
 Manufention sécurité : Bavure Max
 Tolerances Unless specified
 Tolérances Par défaut

0.5 -6	>6 -30	>30 -120	>120 -400	>400 -1000	>1000 -2000	>2000 -4000
± 0.1	± 0.2	± 0.3	± 0.5	± 0.8	± 1.2	± 2


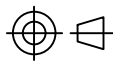
All material must be RoHS compatible (2002/95/EC)
 Produit soumis à la directive RoHS (2002/95/EC)



This part must be traceable to a certificate of conformity supplied by the vendor

Certification of the product can't do change without authorization

⑧	Connector	PBT,UL94V-0(Black) Brass/Tin over Nickel	2
⑦	Connector	PA66,UL94V-0(Green)Brass/Tin over Nickel	1
⑥	Label	69*39White/black, Text: Arial Size: 1.8、2.0	1
⑤	Screw	One way screw DM108; Material: STL	4
④	Housing	PCB housing profile: DM72; Material: PA	1
③	Housing	PCB housing side element right: DM-72-100A; Material: PA	1
②	Housing	PCB housing side element left: DM-72-100A; Material: PA	1
①	PCBA	C-GSLF: 72*72*1.6mm PCBA ; Material: FR4	1
No.	Name	Information	QTY

 Guangzhou Cal-Boz Electrical Science & Technology Co.,Limited.						
PROJECTION	PART NO.	C-GSLF				
	TITLE	C-GLSF Assembly				
	DRAWN BY	Allen				
	CHECKED BY	Niko				
SCALE	UNIT	VERSION	SIZE	SHEET	DATE	
1:1	MM	A1	A4	3 / 3	2019.11.22	