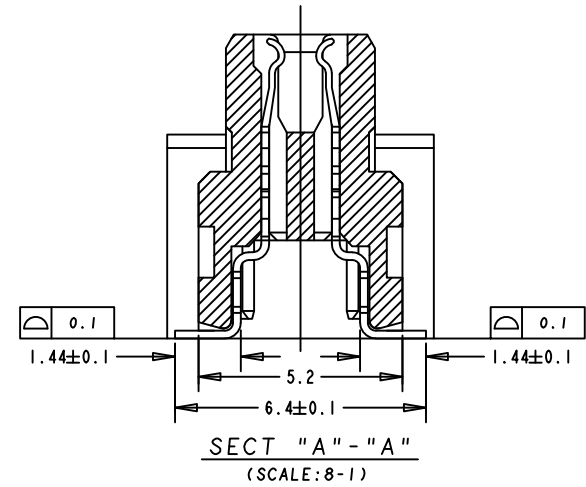
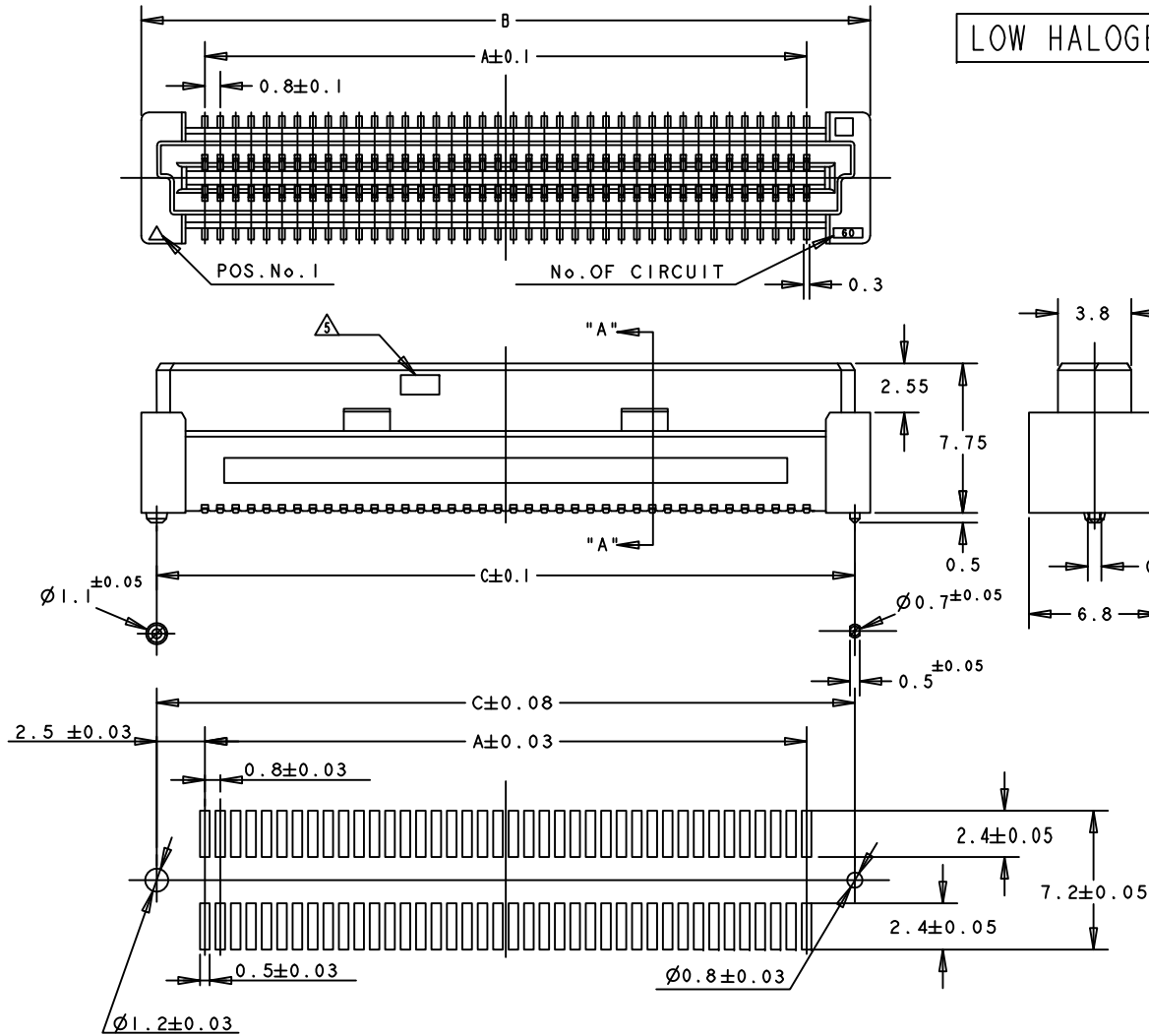


RoHS

LOW HALOGEN



NOTES:

- △ MATERIAL: HOUSING: L.C.P. (HIGH TEMP. THERMOPLASTIC)
UL 94V-0, NATURAL.
CONTACT: BERYLLIUM COPPER.
- △ FINISH: CONTACT AREA: 0.0002 MIN GOLD ON
0.0013 MIN ALL OVER NICKEL.
SOLDERING AREA: 0.002 MIN MATTE-TIN.
- 3. POSITION SERIES: SEE TABLE. (SHEET 2)
- 4. CONN STACK HEIGHT COMBINE OF PLUG "Y" H VS REC "X" H.
STACK HEIGHT = Y + X - 5
- △ MANUFACTURE PLANT LOCATION MARK. QINGDAO:
- △ CONNECTOR WITH BLACK HOUSING AND POLYIMIDE COVER

RECOMMENDED P.C. BOARD LAYOUT

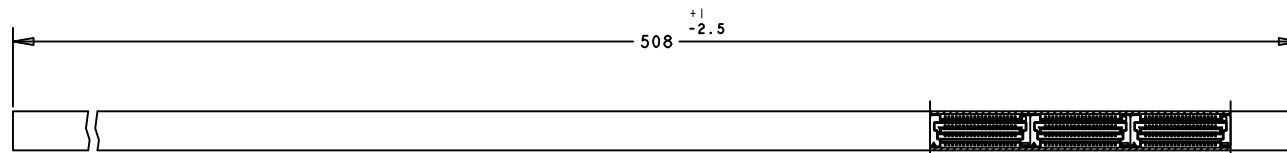
CONNECTOR ONLY



Guangzhou cal-boz Technology, Limited.
广州市卡而博泽科技有限公司

General Tolerance		PART NO. 5-5179009-4			
X.XX≤0.30	ANGLE±	TITLE			
X.XX≤0.20		DRAW	Niko		
X.XXX≤0.10		CHECK			
SCALE	UNIT	VERSION	DATE	SHEET	SIZE
1:1	mm	A0	28.03.2012	1/3	A4

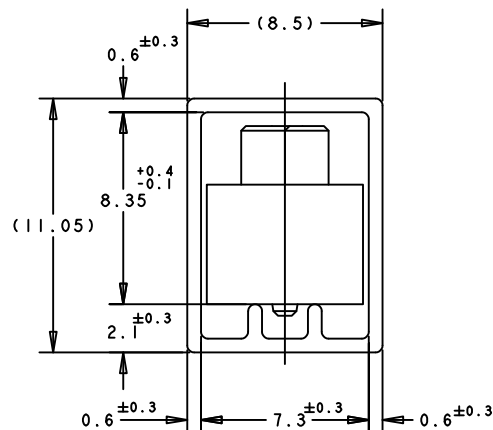
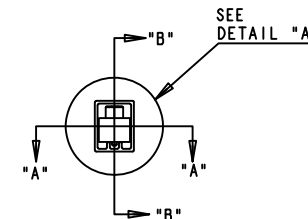
RoHS



SECT "A" - "A"



SECT "B" - "B"




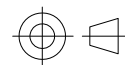
DETAIL "A"
(SCALE 5-1)

WITHOUT COVER

LOW HALOGEN

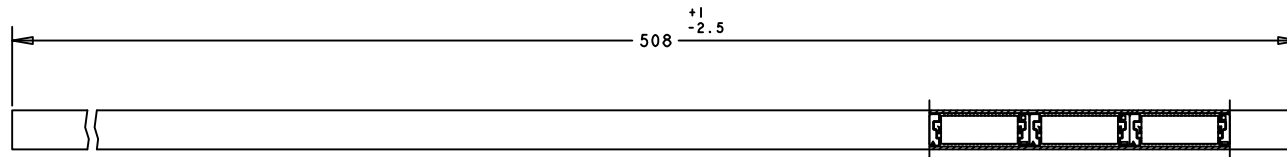
84.20	85.80	79.20	200	6-	-0
76.20	77.80	71.20	180	5-	-9
68.20	69.80	63.20	160	5-	-8
60.20	61.80	55.20	140	5-	-6
52.20	53.80	47.20	120	5-	-5
44.20	45.80	39.20	100	5-	-4
36.20	37.80	31.20	80	5-	-3
28.20	29.80	23.20	60	5-	-2
20.20	21.80	15.20	40	5-5179009-1	
C	B	A	POS.	PART No.	


Guangzhou cal-boz Technology., Limited.
 广州市卡而博泽科技有限公司

General Tolerance		PART NO.	5-5179009-4		
X.XX ≤ 0.30 X.XX ≤ 0.20 X.XXX ≤ 0.10	ANGLE ±	TITLE			
		DRAW	Niko		
		CHECK			

SCALE	UNIT	VERSION	DATE	SHEET	SIZE
1:1	mm	A0	28.03.2012	2/3	A4

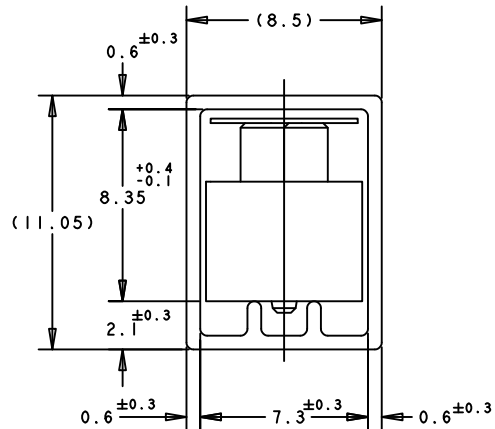
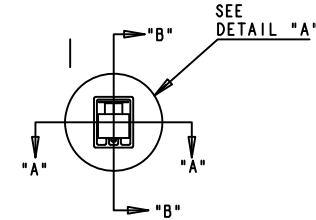
RoHS



SECT "A" - "A"



SECT "B" - "B"



DETAIL "A"
(SCALE 5-1)

WITH POLYIMIDE COVER

LOW HALOGEN

60.20	61.80	55.20	140	9-5179009-6
C	B	A	POS.	PART No.

		Guangzhou cal-boz Technology.,Limited. 广州市卡而博泽科技有限公司			
		General Tolerance		PART NO. 5-5179009-4	
X.XX≤0.30 X.XX≤0.20 X.XXX≤0.10	ANGLE±	TITLE		DRAW Niko	
		CHECK			
		SCALE 1:1	UNIT mm	VERSION A0	DATE 28.03.2012
		SIZE A4			